



LIFE MULTI-AD

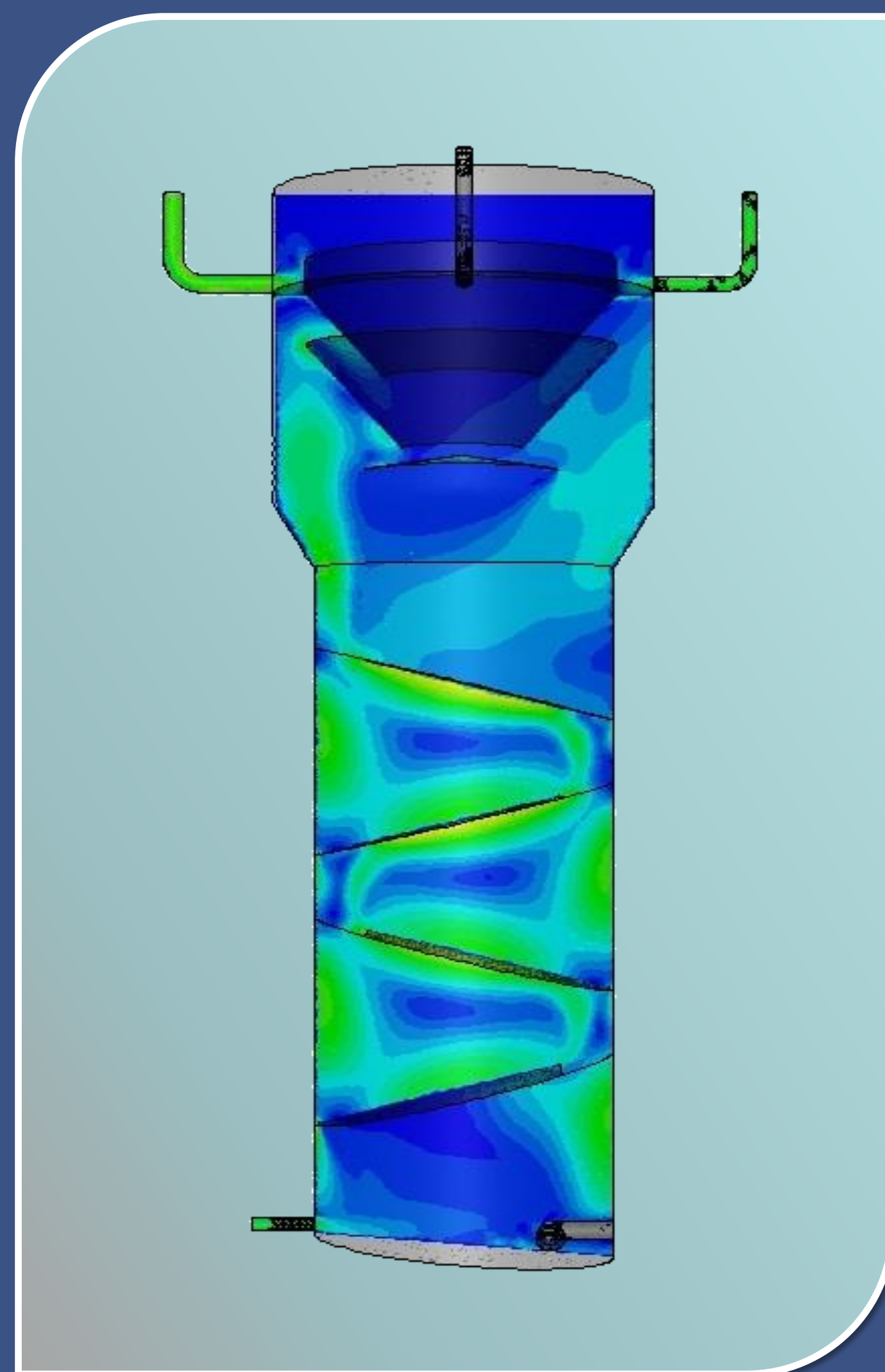
www.lifemultiad.eu



Project co-financed by European
Union through LIFE programme
LIFE+17 ENV/ES/000331

High performance multiphase anaerobic reactor for agroindustrial wastewater treatment

TRL 6



TRL 8

Project co-financed by European Union through LIFE programme: LIFE+17 ENV/ES/000331

Total budget: 2,177,143 € (EU contribution: 60%)

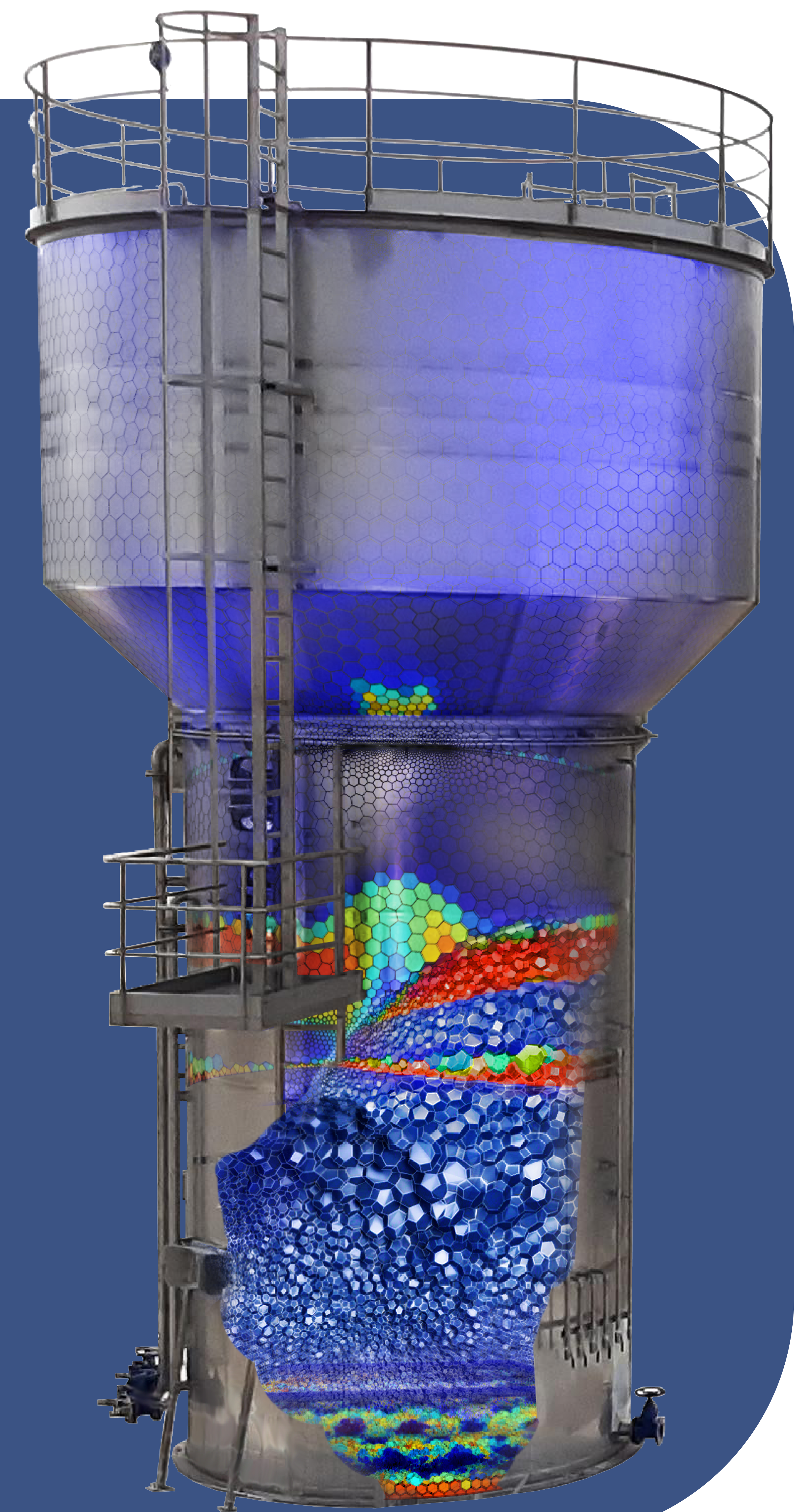
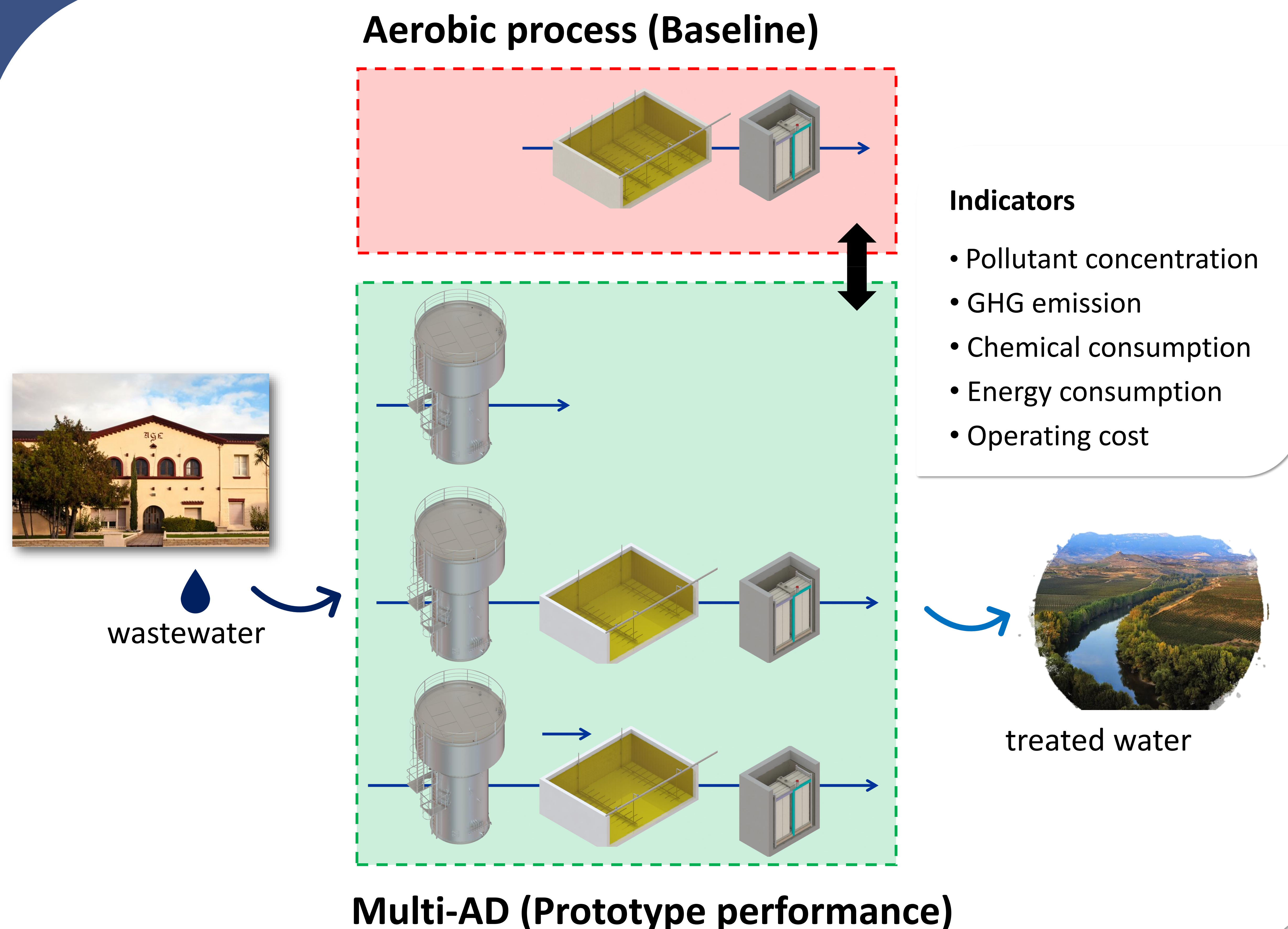
Duration: 01/09/2018 – 30/06/2023

Partners:



THE PROJECT

LIFE Multi-AD aims to design and industrialise a high performance multiphase anaerobic reactor that generates methane-rich biogas, tailor-made for treating wastewater generated in Food and Drink (F&D) Small and Medium Enterprises (SMEs).



OBJECTIVES

1. **The scale-up of the eco-innovative anaerobic reactor** (patent ES-2541078-B1) from our current prototype of 100 L to 25-500 m³.
2. **Optimisation and automatism of the control system**, to maximise the stability of the anaerobic process, and make it robust changes in the wastewater composition or operational conditions.
3. **Construction and validation of a 1:1 scale demonstration unit** of Multi-AD reactor in a Spanish winery.
4. **Development of the “Anaerobic Reactor Design Tool”**, software to be used for dimensioning *ad-hoc* Multi-AD technological solution.
5. **Population of the software’s data-base** with data generated by treating of different kind of F&D industrial wastewater using our 100 L Multi-AD prototype.

